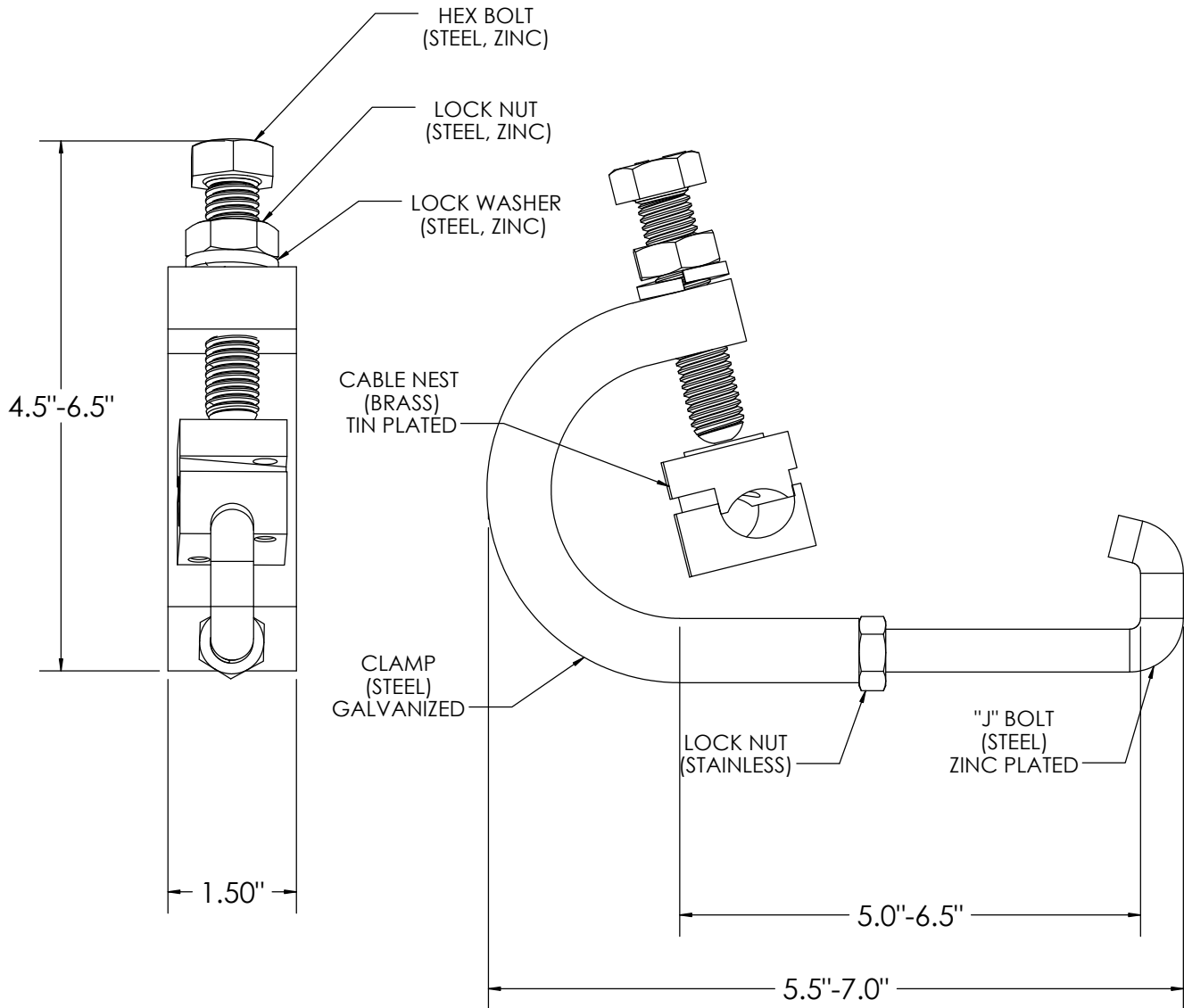


RAIL BONDING CONNECTORS



Specifications		
Rail Size & Type	Conductor Size & Range	Catalog #
All Running Rails	250MCM - 500MCM	250400

FOR ANY RAIL OR CONDUCTOR COMBINATION NOT LISTED ABOVE CONSULT FACTORY.

STANDARD PACKAGE: Full Carton: 8 Units: 11" x 11" x 7" Box: 38 Lbs.